



The wy series pipe reciprocating rotary joint is a movable joint used for swinging or low-speed rotation between steel pipes. The inside is supported by two rows of steel ball bearings, which rotates smoothly and has a long service life.

Features:

Two rows of precision grade steel ball support, stable operation, no swing; bearing internal pre-filled bearing grease, life-long maintenance-free; special sealing ring, non-standard models can withstand up to 21 Mpa;

It has a variety of movable joints and joints, which can meet the complex space of the field to rotate the transmission medium;

important hint:

- 1 Pipe swing joint, not suitable for long-term rotary continuous rotation work;
- 2 It is strictly forbidden to transport flammable, explosive, toxic or strong corrosive media;
- 3 The main material can be carbon steel, sus 304, sus 316 l, etc.
- 4 The standard model material is carbon steel, other materials need to be specified;

Technical Parameters:

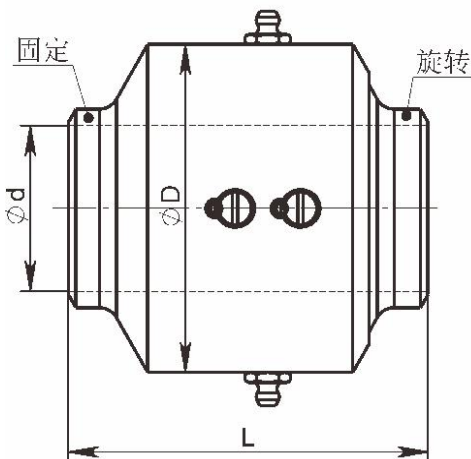
Maximum speed: 10 r/ min

Operating temperature: - 30~+ 121 °C

Maximum pressure: 4.0Mpa

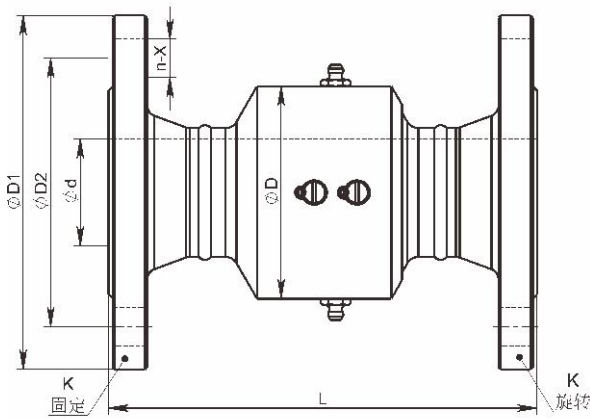
Applicable medium: oil, water, air

WY00 type Swivel joints



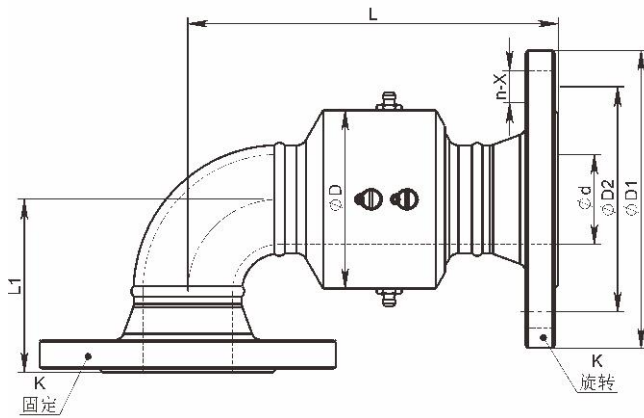
DN	Order number	d	D	L	DN	Order number	d	D	L
40A	WY00-040A	40	88	110	250A	WY00-250A	250	338	180
50A	WY00-050A	50	99	110	300A	WY00-300A	300	395	180
65A	WY00-065A	65	118	120	350A	WY00-350A	350	455	185
80A	WY00-080A	80	134	120					
100A	WY00-100A	100	158	120					
125A	WY00-125A	125	186	130					
150A	WY00-150A	150	208	130					

WY01 type Swivel joints



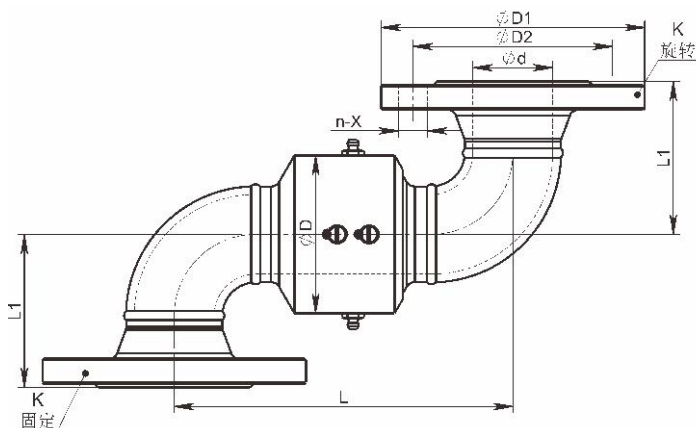
DN	Order number	d	D	L	K	Flange 16KG		
						D1	D2	n-X
50A	WY01-050F	50	99	200	DN50PN16	165	125	4-Φ18
65A	WY01-065F	65	118	210	DN65PN16	185	145	8-Φ18
80A	WY01-080F	80	134	220	DN80PN16	200	160	8-Φ18
100A	WY01-100F	100	158	224	DN100PN16	220	180	8-Φ18
125A	WY01-125F	125	186	240	DN125PN16	250	210	8-Φ18
150A	WY01-150F	150	208	240	DN150PN16	285	240	8-Φ22
200A	WY01-200F	200	268	269	DN200PN16	340	295	12-Φ22
250A	WY01-250F	250	338	320	DN250PN16	405	355	12-Φ26
300A	WY01-300F	300	395	336	DN300PN16	460	410	12-Φ26
350A	WY01-350F	350	455	349	DN350PN16	520	470	16-Φ26

WY02 type Swivel joints



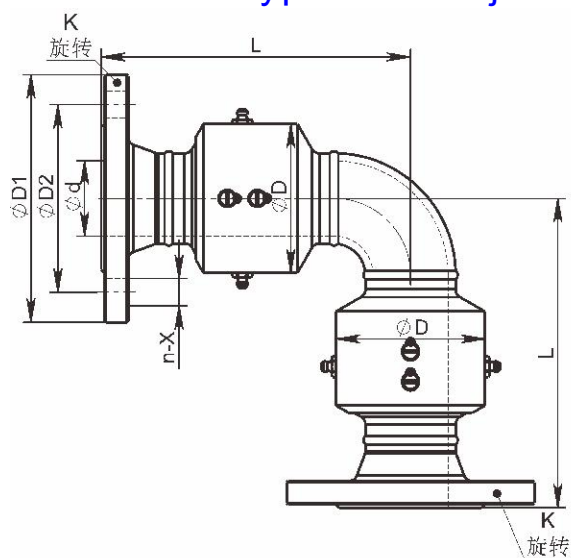
DN	Order number	d	D	L	L1	K	Flange 16KG		
							D1	D2	n-X
50A	WY02-050F	50	99	206	96	DN50PN16	165	125	4-Φ18
65A	WY02-065F	65	118	229	109	DN65PN16	185	145	8-Φ18
80A	WY02-080F	80	134	246	126	DN80PN16	200	160	8-Φ18
100A	WY02-100F	100	158	274	154	DN100PN16	220	180	8-Φ18
125A	WY02-125F	125	186	312	182	DN125PN16	250	210	8-Φ18
150A	WY02-150F	150	208	337	207	DN150PN16	285	240	8-Φ22
200A	WY02-200F	200	268	410	265	DN200PN16	340	295	12-Φ22
250A	WY02-250F	250	338	504	324	DN250PN16	405	355	12-Φ26
300A	WY02-300F	300	395	563	383	DN300PN16	460	410	12-Φ26
350A	WY02-350F	350	455	623	438	DN350PN16	520	470	16-Φ26

WY03 type Swivel joints



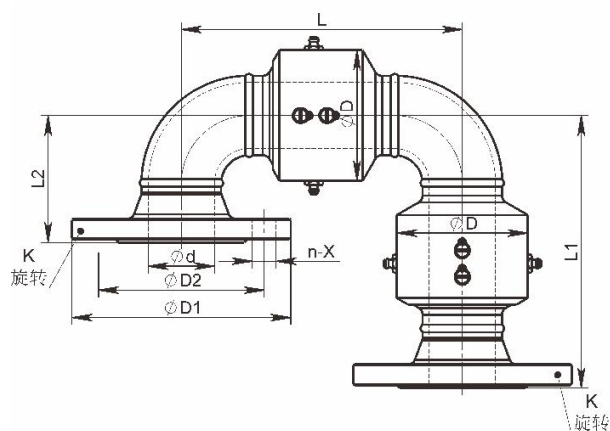
DN	Order number	d	D	L	L1	K	Flange 16KG		
							D1	D2	n-X
50A	WY03-050F	50	99	212	96	DN50PN16	165	125	4-Φ18
65A	WY03-065F	65	118	248	109	DN65PN16	185	145	8-Φ18
80A	WY03-080F	80	134	272	126	DN80PN16	200	160	8-Φ18
100A	WY03-100F	100	158	324	154	DN100PN16	220	180	8-Φ18
125A	WY03-125F	125	186	384	182	DN125PN16	250	210	8-Φ18
150A	WY03-150F	150	208	434	207	DN150PN16	285	240	8-Φ22
200A	WY03-200F	200	268	551	265	DN200PN16	340	295	12-Φ22
250A	WY03-250F	250	338	688	324	DN250PN16	405	355	12-Φ26
300A	WY03-300F	300	395	790	383	DN300PN16	460	410	12-Φ26
350A	WY03-350F	350	455	897	438	DN350PN16	520	470	16-Φ26

WY05 type Swivel joints



DN	Order number	d	D	L	K	Flange 16KG		
						D1	D2	n-X
50A	WY05-050F	50	99	206	DN50PN16	165	125	4-Φ18
65A	WY05-065F	65	118	229	DN65PN16	185	145	8-Φ18
80A	WY05-080F	80	134	246	DN80PN16	200	160	8-Φ18
100A	WY05-100F	100	158	274	DN100PN16	220	180	8-Φ18
125A	WY05-125F	125	186	312	DN125PN16	250	210	8-Φ18
150A	WY05-150F	150	208	337	DN150PN16	285	240	8-Φ22
200A	WY05-200F	200	268	410	DN200PN16	340	295	12-Φ22
250A	WY05-250F	250	338	504	DN250PN16	405	355	12-Φ26
300A	WY05-300F	300	395	563	DN300PN16	460	410	12-Φ26
350A	WY05-350F	350	455	623	DN350PN16	520	470	16-Φ26

WY06 type Swivel joints



DN	Order number	d	D	L	L1	L2	K	Flange 16KG		
								D1	D2	n-X
50A	WY06-050F	50	99	212	206	96	DN50PN16	165	125	4-Φ18
65A	WY06-065F	65	118	248	229	109	DN65PN16	185	145	8-Φ18
80A	WY06-080F	80	134	272	246	126	DN80PN16	200	160	8-Φ18
100A	WY06-100F	100	158	324	274	154	DN100PN16	220	180	8-Φ18
125A	WY06-125F	125	186	384	312	182	DN125PN16	250	210	8-Φ18
150A	WY06-150F	150	208	434	337	207	DN150PN16	285	240	8-Φ22
200A	WY06-200F	200	268	551	410	265	DN200PN16	340	295	12-Φ22
250A	WY06-250F	250	338	688	504	324	DN250PN16	405	355	12-Φ26
300A	WY06-300F	300	395	790	563	383	DN300PN16	460	410	12-Φ26
350A	WY06-350F	350	455	897	623	438	DN350PN16	520	470	16-Φ26

Customer data / Customer data							
Customer name / company name Customer/Company		Project manager Contact person		contact number Phone			
address Address		mailbox Email		fax Fax			
Gas and liquid technical parameters /Technical parameters							
Product Usage Application							
Working medium medium	<input type="checkbox"/> Steam Steam	<input type="checkbox"/> Water Water	<input type="checkbox"/> Heat oil Hot oil	<input type="checkbox"/> Compressed air Air	Other (description) other		
Operating temperature Temperature	_____°C	Work pressure Pressure	Mpa	Working speed Speed	RPM	road number Channel number	
Connection method Rotor Connection	<input type="checkbox"/> Flange Flange	<input type="checkbox"/> Thread Thread	Import specification Inlet		Export specificatio n Outlet		
other request other							
Circuit technical parameters /Technical parameters							
Insulation class Protection class	IP _____	Working speed Speed	_____RPM	Ambient temperature (minimum-maximum) Ambient Temperature(Min-Max)	_____°C ~ _____°C		
Installa tion size Installation dimension		Maximum outer diameter Max.outer	φ _____mm	Minimum inner: diameter Min.inner	φ _____mm	Maximum total length Max.Length	_____mm
group Group	Number of circuits Number of ways	Use / Use		Voltage (v) Voltage	Current (a) Current	frequency Frequency	
Ground / pe							
A							
B							
C							
D							
Your requirements /Customer requirements							
Order Quantity / Quantity		Ship date/Delivery date					
Other requirements / sketch / Special features/Sketch							

