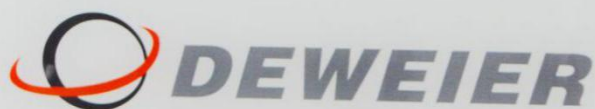




德威迩
DEWEIER



德威迩

让世界随我们一起转动

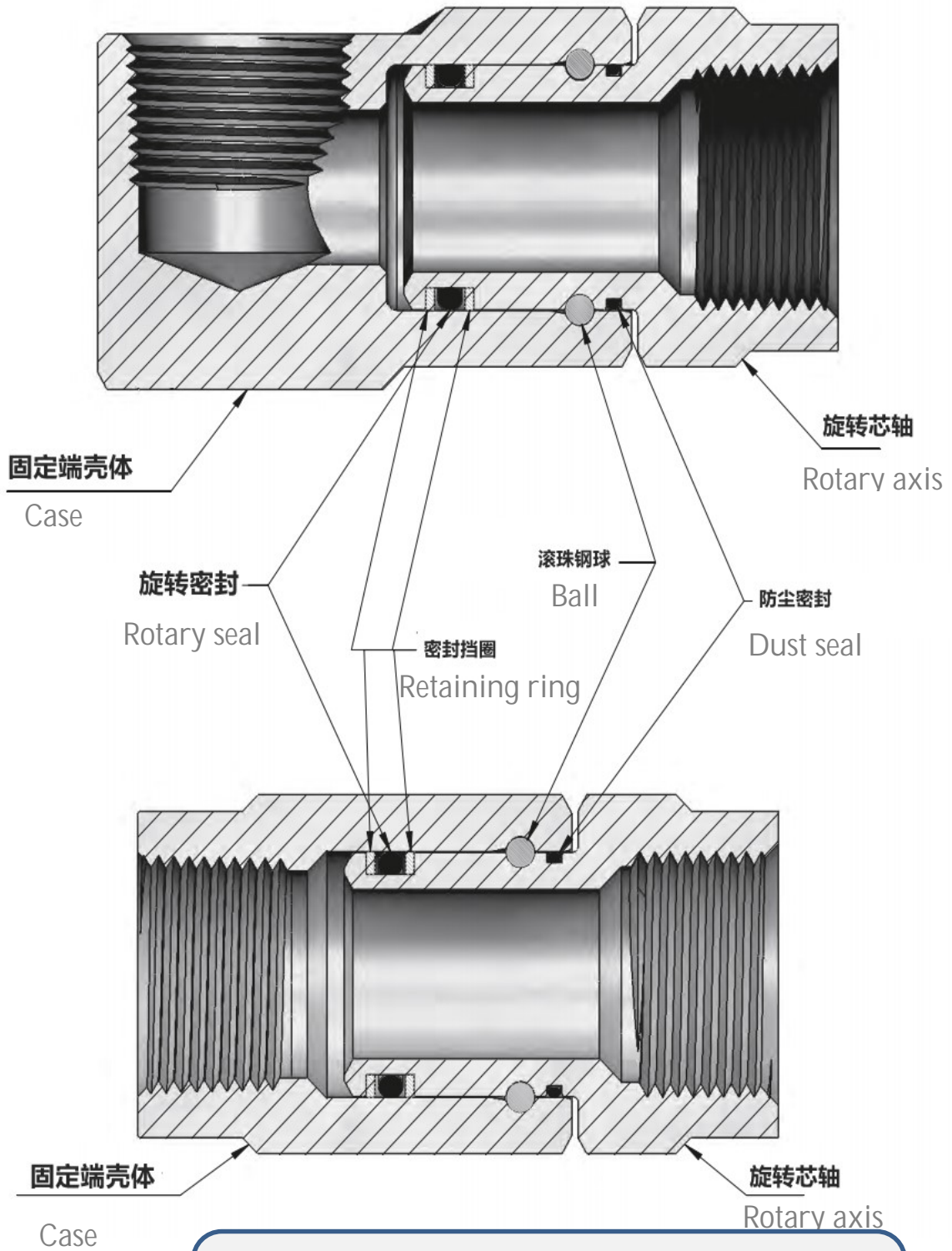


Let the world turn with us!

Rotary Joints Selection Manual

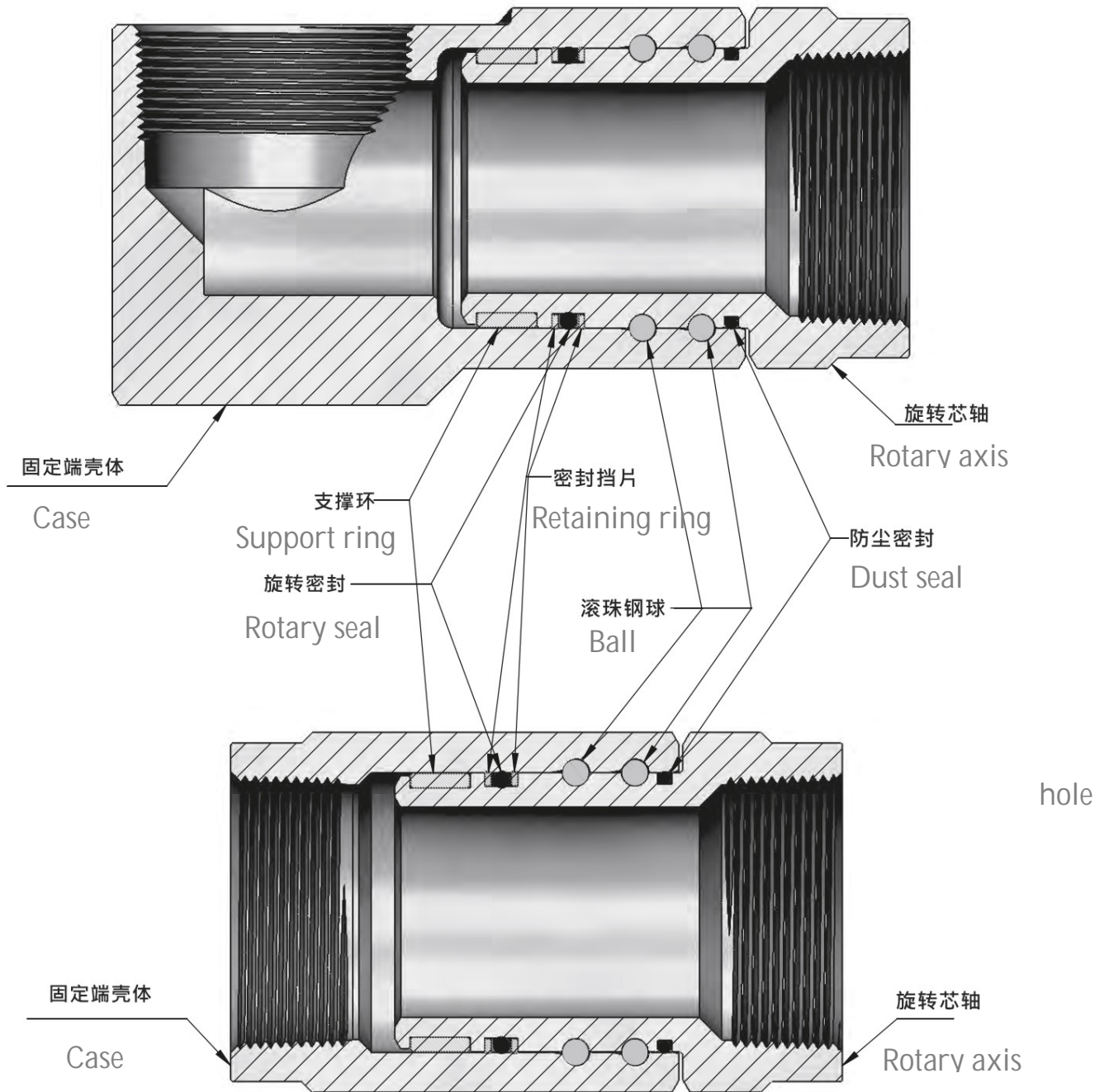
www.sddeweier.com

Sn light rotary joint



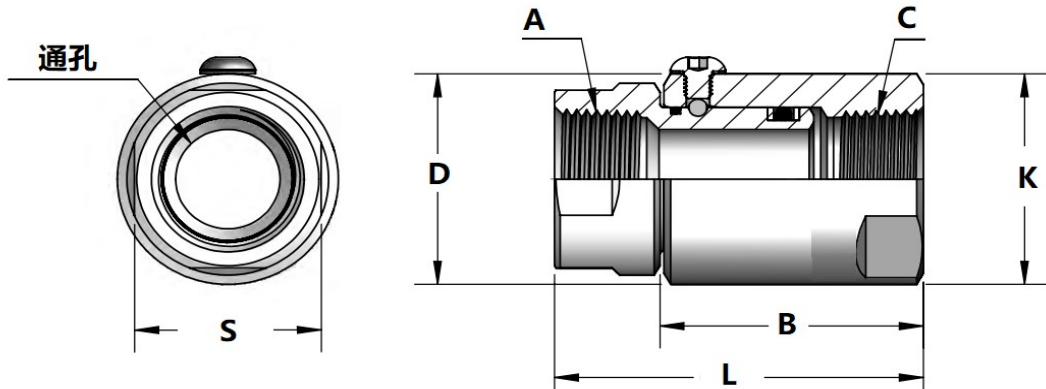
Suitable for medium: water / oil / compressed air
The highest withstand voltage: 7.0MPa

Dsn heavy duty rotary joint



Suitable for medium: high pressure water / hydraulic

Sna straight-through - low-speed medium-pressure type - internal threaded connection at both ends (1" ~ 2-1/2")

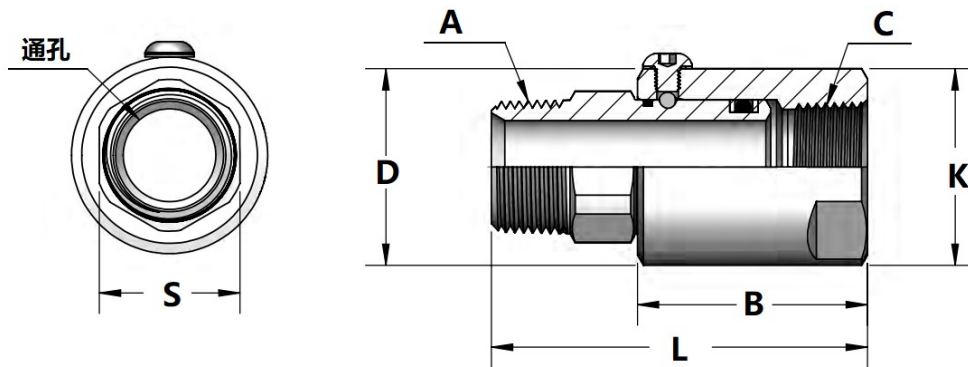


Snb straight-through low-speed medium-pressure type - one end

Path dn	Order number	A	B	C	D	K	L	S	Pressure MPa	Speed rpm
08	SNA08-1913-01R	Rc1/4"	36	Rc1/4"	25	22	57	22	7.0	30
10	SNA10-1913-01R	Rc3/8"	40	Rc3/8"	32	28	62	24	7.0	30
13	SNA15-1913-01R	Rc1/2"	42	Rc1/2"	38	32	65	28	5.0	20
17	SNA20-1913-01R	Rc3/4"	46	Rc3/4"	42	38	69	35	5.0	15
23	SNA25-1913-01R	Rc1"	57	Rc1"	48	44	83	42	4.0	15
30	SNA32-1913-01R	Rc1-1/4"	68	Rc1-1/4"	60	53	95	51	4.0	10
37	SNA40-1913-01R	Rc1-1/2"	75	Rc1-1/2"	65	61	105	60	4.0	10
46	SNA50-1913-01R	Rc2"	87	Rc2"	78	73	115	73	2.5	5
56	SNA65-1913-01R	Rc2-1/2"	97	Rc2-1/2"	91	85	135	85	2.5	5

The order number products are all made of stainless steel 304; if you need stainless steel 316l material, please specify when ordering; Operating temperature: -30°C~+120°C Applicable medium: industrial water/sea water/hydraulic oil/compressed air

external thread; one end internal thread connection type (1" ~ 2")

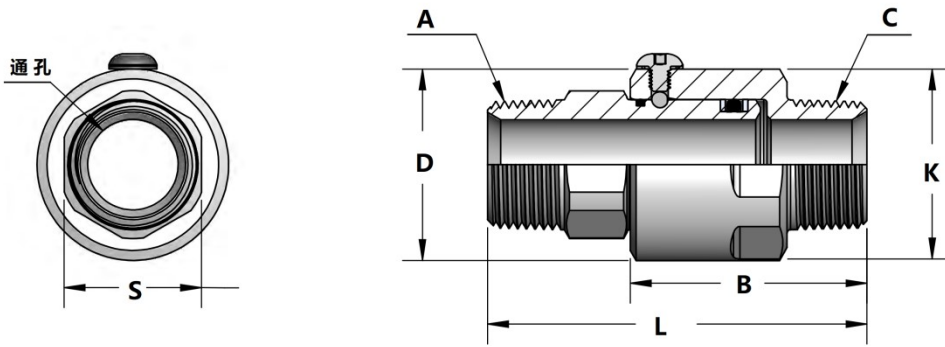


Path dn	Order number	A	B	C	D	K	L	S	Pressure MPa	Speed rpm
08	SNB08-1923-01R	R1/4"	36	Rc1/4"	25	22	63	22	7.0	30
10	SNB10-1923-01R	R3/8"	40	Rc3/8"	32	28	76	25	7.0	30
13	SNB15-1923-01R	R1/2"	42	Rc1/2"	38	32	73	28	5.0	20
17	SNB20-1923-01R	R3/4"	46	Rc3/4"	42	38	79	35	4.0	20
23	SNB25-1923-01R	R1"	57	Rc1"	48	44	95	42	4.0	15
30	SNB32-1923-01R	R1-1/4"	68	Rc1-1/4"	60	53	107	51	4.0	10
37	SNB40-1923-01R	R1-1/2"	75	Rc1-1/2"	65	61	118	60	4.0	10
46	SNB50-1923-01R	R2"	87	Rc2"	76	73	130	73	2.5	5

The order number products are all made of stainless steel 304; if you need stainless steel 316l material, please specify when ordering; Operating temperature: -30°C~+120°C Applicable medium: industrial water/sea water/hydraulic oil/compressed air

Snc straight-through low-speed medium-pressure type -

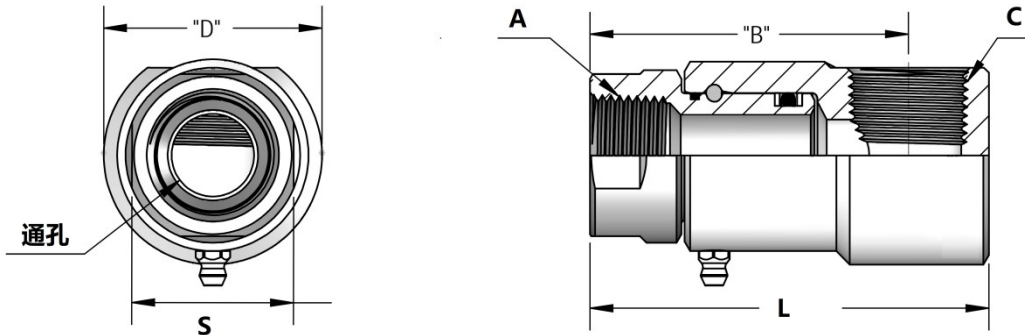
external threaded connection at both ends (1" ~ 2")



Path dn	Order number	A	B	C	D	K	L	S	Pressure MPa	Speed rpm
08	SNC08-1933-01R	R1/4"	40	R1/4"	25	20	60	20	7.0	30
10	SNC10-1933-01R	R3/8"	42	R3/8"	32	28	63	25	7.0	30
13	SNC15-1933-01R	R1/2"	45	R1/2"	38	32	75	28	5.0	20
17	SNC20-1933-01R	R3/4"	48	R3/4"	42	38	78	35	4.0	20
23	SNC25-1933-01R	R1"	60	R1"	48	44	97	42	4.0	15
30	SNC32-1933-01R	R1-1/4"	66	R1-1/4"	60	53	103	51	4.0	10
37	SNC40-1933-01R	R1-1/2"	79	R1-1/2"	65	61	122	60	4.0	10
46	SNC50-1933-01R	R2"	93	R2"	76	73	133	73	2.5	5

The order number products are all made of stainless steel 304; if you need stainless steel 316l material, please specify when ordering; Operating temperature: -30°C~+120°C Applicable medium: industrial water/sea water/hydraulic oil/compressed air

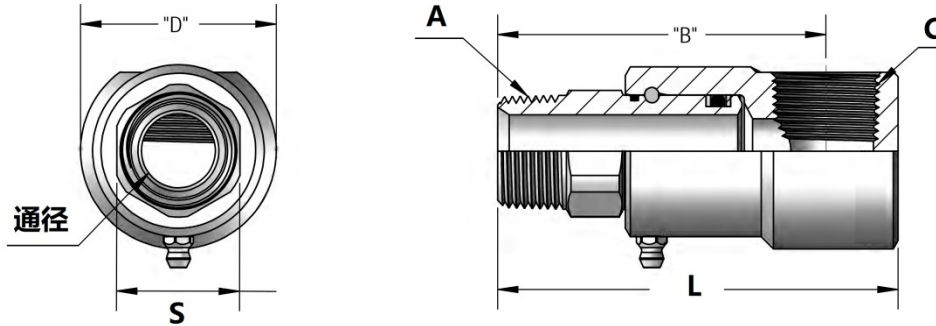
Snd right angle 90° low speed medium pressure type - internal threaded connection at both ends (1" ~ 2")



Path dn	Order number	A	B	C	D	K	L	S	Pressure MPa	Speed rpm
08	SND08-1813-01R	Rc1/4"	48	Rc1/4"	30		58	20	7.0	30
10	SND10-1813-01R	Rc3/8"	54	Rc3/8"	38		68	25	7.0	30
13	SND15-1813-01R	Rc1/2"	58	Rc1/2"	38		72	28	5.0	20
17	SND20-1813-01R	Rc3/4"	61	Rc3/4"	43		77	35	4.0	20
23	SND25-1813-01R	Rc1"	82	Rc1"	55		103	42	4.0	15
30	SND32-1813-01R	Rc1-1/4"	88	Rc1-1/4"	68		110	51	4.0	10
37	SND40-1813-01R	Rc1-1/2"	112	Rc1-1/2"	74		143	60	4.0	10
46	SND50-1813-01R	Rc2"	128	Rc2"	93		165	73	2.5	5

The order number products are all made of stainless steel 304; if you need stainless steel 316l material, please specify when ordering; Operating temperature: -30°C~+120°C Applicable medium: industrial water/sea water/hydraulic oil/compressed air

Sne right angle 90° low speed medium pressure type - one end external thread, one end internal thread connection type (1" ~ 2")

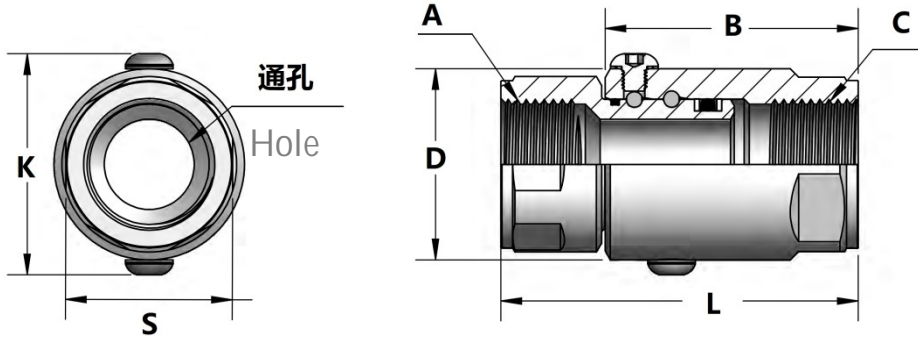


Path dn	Order number	A	B	C	D	K	L	S	Pressure MPa	Speed rpm
08	SNE08-1833-01R	R1/4"	48	Rc1/4"	30		63	20	7.0	30
10	SNE10-1833-01R	R3/8"	54	Rc3/8"	38		73	25	7.0	30
13	SNE15-1833-01R	R1/2"	58	Rc1/2"	38		81	28	5.0	20
17	SNE20-1833-01R	R3/4"	61	Rc3/4"	43		87	35	4.0	20
23	SNE25-1833-01R	R1"	82	Rc1"	55		114	42	4.0	15
30	SNE32-1833-01R	R1-1/4"	88	Rc1-1/4"	68		123	51	4.0	10
37	SNE40-1833-01R	R1-1/2"	112	Rc1-1/2"	74		157	60	4.0	10
46	SNE50-1833-01R	R2"	128	Rc2"	93		178	73	2.5	5

The order number products are all made of stainless steel 304; if you need stainless steel 316l material, please specify when ordering; Operating temperature: -30°C~+120°C Applicable medium: industrial water/sea water/hydraulic oil/compressed air

DSN high pressure type

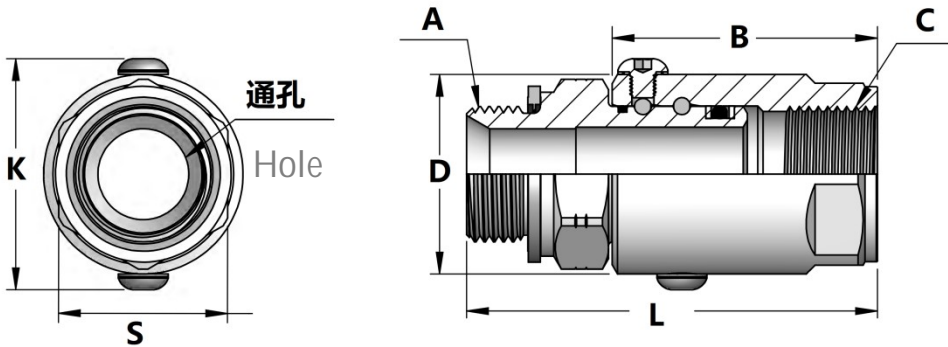
DSN straight-through type - low speed high pressure type - internal threaded connection at both ends (1" ~ 1-1/2")



Path dn	Order number	A	B	C	D	K	L	S	Pressure MPa	Speed rpm
08	DSN08-1913-03R	G1/4"	44	G1/4"	28	33	66	22	21	15
10	DSN10-1913-03R	G3/8"	46	G3/8"	35	42	68	30	21	15
13	DSN15-1913-03R	G1/2"	53	G1/2"	40	45	78	35	16	15
17	DSN20-1913-03R	G3/4"	55	G3/4"	45	50	80	38	16	15
23	DSN25-1913-03R	G1"	66	G1"	50	55	95	45	16	10
30	DSN32-1913-03R	G1-1/4"	68	G1-1/4"	60	65	104	54	12	5
37	DSN40-1913-03R	G1-1/2"	84	G1-1/2"	68	73	119	60	10	5

The order number products are all made of stainless steel 304; if you need stainless steel 316l material, please specify when ordering; Operating temperature: -30°C~+120°C Applicable medium: high pressure water/hydraulic oil

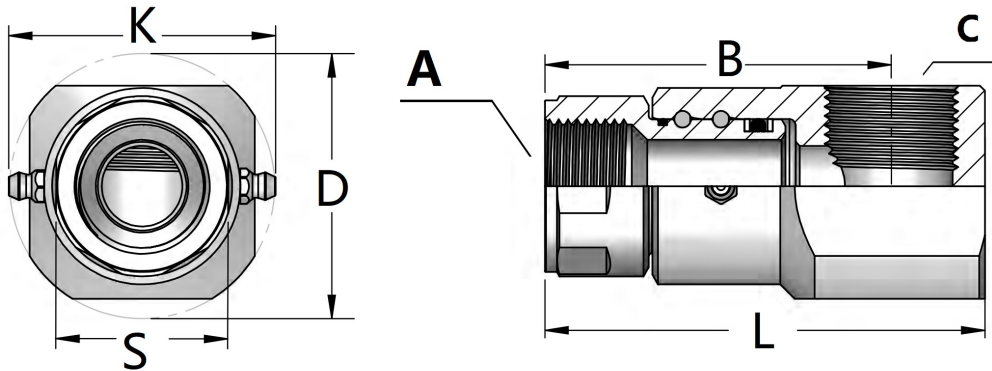
DSN straight-through type - low speed high pressure type - one end external thread; one end internal thread connection type (1" ~ 1-1/2")



Path dn	Order number	A	B	C	D	K	L	S	Pressure MPa	Speed rpm
08	DSN08-1923-03R	G1/4"	44	G1/4"	28	33	68	22	21	15
10	DSN10-1923-03R	G3/8"	46	G3/8"	35	42	70	30	21	15
13	DSN15-1923-03R	G1/2"	53	G1/2"	40	48	80	35	16	15
17	DSN20-1923-03R	G3/4"	55	G3/4"	45	52	86	38	16	15
23	DSN25-1923-03R	G1"	66	G1"	50	59	106	45	16	10
30	DSN32-1923-03R	G1-1/4"	68	G1-1/4"	60	70	112	54	12	5
37	DSN40-1923-03R	G1-1/2"	84	G1-1/2"	68	74	133	60	10	5

The order number products are all made of stainless steel 304; if you need stainless steel 316l material, please specify when ordering; Operating temperature: -30°C~+120°C Applicable medium: high pressure water/hydraulic oil

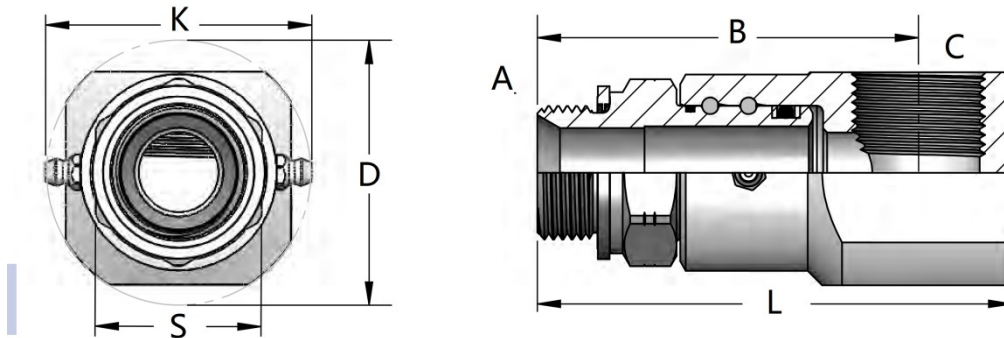
Dsn right angle 90° type - low speed high pressure type - internal threaded connection at both ends (1" ~ 1-1/2")



Path dn	Order number	A	B	C	D	K	L	S	Pressure MPa	Speed rpm
08	DSN08-1813-03R	G1/4"	57	G1/4"	33	48	70	22	21	15
10	DSN10-1813-03R	G3/8"	59	G3/8"	37	50	75	30	21	15
13	DSN15-1813-03R	G1/2"	69	G1/2"	45	55	85	35	16	15
17	DSN20-1813-03R	G3/4"	75	G3/4"	56	60	95	38	16	15
23	DSN25-1813-03R	G1"	90	G1"	66	67	114	45	16	10
30	DSN32-1813-03R	G1-1/4"	98	G1-1/4"	78	78	125	54	12	5
37	DSN40-1813-03R	G1-1/2"	120	G1-1/2"	91	83	152	60	10	5

The order number products are all made of stainless steel 304; if you need stainless steel 316l material, please specify when ordering; Operating temperature: -30°C~+120°C Applicable medium: high pressure water/hydraulic oil

Dsn right angle 90° type - low speed high pressure type - internal threaded connection at both ends (1" ~ 1-1/2")



Path dn	Order number	A	B	C	D	K	L	S	Pressure MPa	Speed rpm
08	DSN08-1813-03R	G1/4"	60	G1/4"	33	48	73	22	21	15
10	DSN10-1813-03R	G3/8"	62	G3/8"	37	50	77	30	21	15
13	DSN15-1813-03R	G1/2"	72	G1/2"	45	55	88	35	16	15
17	DSN20-1813-03R	G3/4"	81	G3/4"	56	60	101	38	16	15
23	DSN25-1813-03R	G1"	96	G1"	66	67	120	45	16	10
30	DSN32-1813-03R	G1-1/4"	103	G1-1/4"	78	78	131	54	12	5
37	DSN40-1813-03R	G1-1/2"	130	G1-1/2"	91	83	165	60	10	5

The order number products are all made of stainless steel 304; if you need stainless steel 316l material, please specify when ordering; Operating temperature: -30°C~+120°C Applicable medium: high pressure water/hydraulic oil

Customer data / Customer data							
Customer name / company name Customer/Company		Project manager Contact person		contact number Phone			
address Address		mail box Email		fax Fax			
Gas and liquid technical parameters /Technical parameters							
Product Usage Application							
Working medium medium	<input type="checkbox"/> Steam Steam	<input type="checkbox"/> Water Water	<input type="checkbox"/> Heat oil Hot oil	<input type="checkbox"/> Compressed air Air	Other (description) other		
Operating temperature Temperature	_____°C	Work pressure Pressure	Mpa	Working speed Speed	RPM	road number Channel number	
Connection method Rotor Connection	<input type="checkbox"/> Flange Flange	<input type="checkbox"/> Thread Thread	Import specification Inlet		Export specificatio n Outlet		
other request other							
Circuit technical parameters /Technical parameters							
Insulation class Protection class	IP _____	Working speed Speed	_____RPM	Ambient temperature (minimum-maximum) Ambient Temperature(Min-Max)		_____°C ~ _____°C	
Installa tion size Installation dimension		Maximum outer diameter Max.outer	φ _____mm	Minimum inner diameter Min.inner	φ _____mm	Maximum total length Max.Length	_____mm
group Group	Number of circuits Number of ways	Use / Use			Voltage (v) Voltage	Current (a) Current	frequency Frequency
Ground / pe							
A							
B							
C							
D							
Your requirements /Customer requirements							
Order Quantity / Quantity					Ship date/Delivery date		
Other requirements / sketch / Special features/Sketch							

