



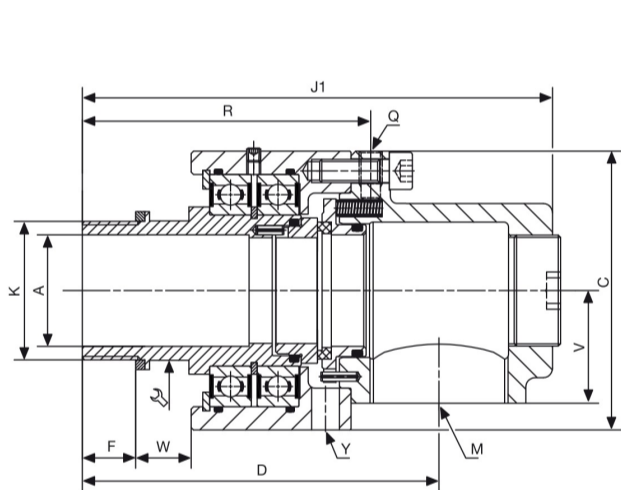
Dr series cooling water rotary joint

Features:

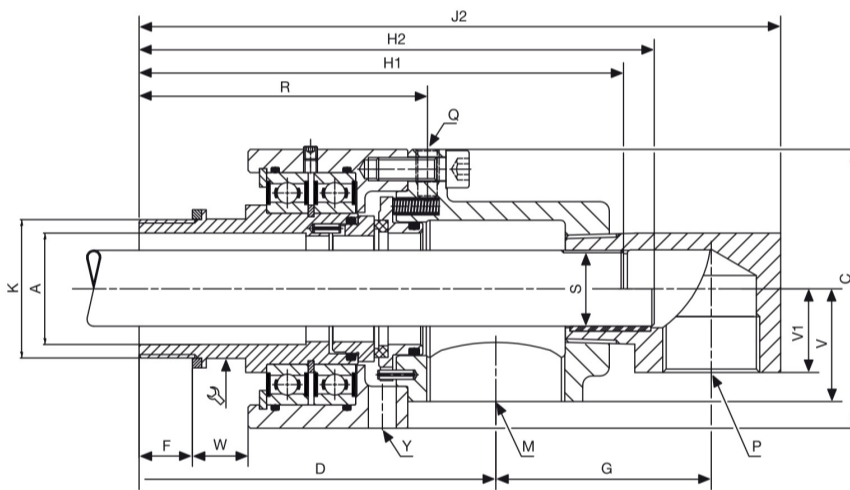
- Balanced seal ● deep groove ball bearing
- Full flow channel ● external load loading spring
- Optimal sealing mating surface
- The split type is convenient for self-repair and replace the seal;

Applicable temperature: -30 ° C ~ +120 ° C  
Applicable medium: cooling water, compressed air

specific ation	Coolant		Compressed air	
	High withstand voltage	Maximum speed	High withstand voltage	Maximum speed
R010	50Bar	3000	10Bar	1500
R015	50Bar	2800	10Bar	1400
R020	50Bar	2500	10Bar	1200
R025	50Bar	2300	10Bar	1100
R032	40Bar	2000	8Bar	1000
R040	35Bar	1800	8Bar	800
R050	35Bar	1500	8Bar	700



单向式  
Single



双向式  
Reflow

specification	K	M	Order number			P	A	C	D	F	G	H1	H2	J1	J2	Q	R	S		V	V1	W	Y	
			One-way	Two-way inner tube Fixed	Two-way inner tube spiral													fixed	Rotate					
R010	G3/8"-RH	Rc3/8"	DR10-1801-03R	DR10-1821-03R	DR10-1831-03R	Rc1/4	10	50	80	12	34	97	109	98	125	M5	68	M6x1	6	22	16	13	M6x6	19
	G3/8"-LH		DR10-1801-04L	DR10-1821-04L	DR10-1831-04L																			
R015	G1/2"-RH	Rc1/2"	DR15-1801-03R	DR15-1821-03R	DR15-1831-03R	Rc3/8	13	56	90	15	40	110	120	110	142	M6	77	Rc1/8	10	23	17	14	M10x5	24
	G1/2"-LH		DR15-1801-04L	DR15-1821-04L	DR15-1831-04L																			
R020	G3/4"-RH	Rc3/4"	DR20-1801-03R	DR20-1821-03R	DR20-1831-03R	Rc1/2	16	67	106	17	49	131	144	132	170	M8	89	Rc1/4	13	27,5	19	16	8,7x5	30
	G3/4"-LH		DR20-1801-04L	DR20-1821-04L	DR20-1831-04L																			
R025	G1"-RH	Rc1"	DR25-1801-03R	DR25-1821-03R	DR25-1831-03R	Rc1/2	25	82	120	19	55	149	163	150	192	M8	99	Rpc3/8	16	35	22	19	8,7x5	36
	G1"-LH		DR25-1801-04L	DR25-1821-04L	DR25-1831-04L																			
R032	G1-1/4"-RH	Rc1-1/4"	DR32-1801-03R	DR32-1821-03R	DR32-1831-03R	Rc3/4	32	93	135	22	67	172	188	173	221	M10	112	Rc1/2	22	39	24	23	8,7x5	46
	G1-1/4"-LH		DR32-1801-04L	DR32-1821-04L	DR32-1831-04L																			
R040	G1-1/2"-RH	Rc1-1/2"	DR40-1801-03R	DR40-1821-03R	DR40-1831-03R	Rc3/4	38	108	146	23	75	189	209	190	241	M10	120	Rc3/4	26	44	29	24	10x5	55
	G1-1/2"-LH		DR40-1801-04L	DR40-1821-04L	DR40-1831-04L																			
R050	G2"-RH	Rc2"	DR50-1801-03R	DR50-1821-03R	DR50-1831-03R	Rc1-1/4"	48	120	154	26	93	205	222	203	277	M10	125	Rc1	32	50	36	24	12x5	60
	G2"-LH		DR50-1801-04L	DR50-1821-04L	DR50-1831-04L																			



Drh series high speed high temperature rotary joint

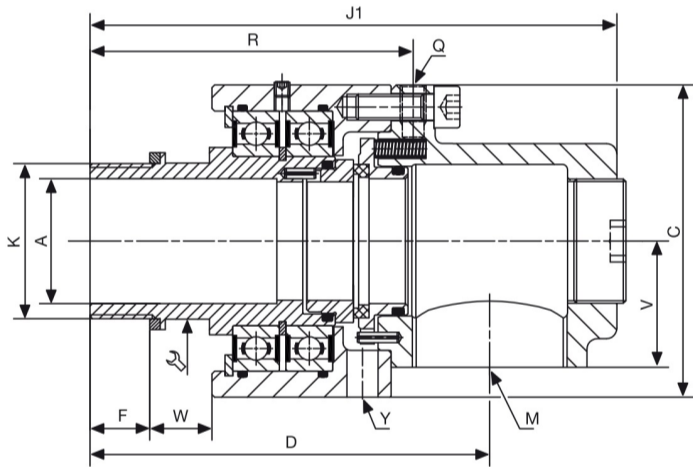
Features:

- Balanced seal ● deep groove ball bearing
- Full flow channel ● external load loading spring
- Optimal sealing mating surface
- The split type is convenient for self-repair and replace the seal;

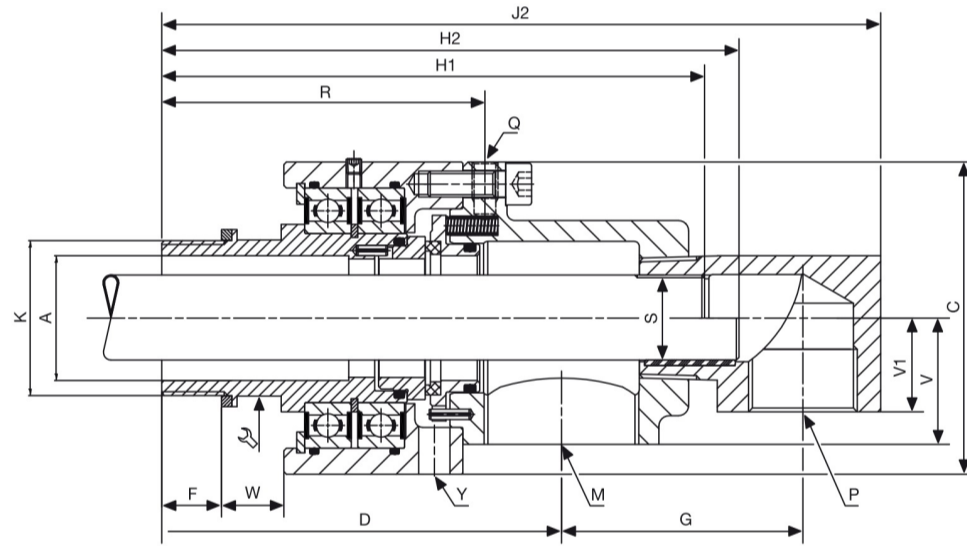
Applicable temperature: -30 ° C ~ +180 ° C

Applicable medium: hot water, heat transfer oil

specific ation	Heat transfer oil	
	High withstand voltage	Maximum speed
DRH010	25Bar	3000
DRH015	25Bar	2800
DRH020	25Bar	2500
DRH025	25Bar	2300
DRH032	25Bar	2000
DRH040	16Bar	1800
DRH050	16Bar	1500



单向式  
Single



双向式  
Reflow Reflow

specification	K	M	Order number			P	A	C	D	F	G	H1	H2	J1	12	Q	R	S		V	V1	W	Y	
			One-way	Two-way inner tube Fixed	Two-way inner tube spiral													fixed	Rotate					
RH010	G3/8"-RH	Rc3/8	DRH10-1801-03R	DRH10-1821-03R	DRH10-1831-03R	Rc	10	50	80	12	34	97	109	98	125	M5	68	M6x1	6	22	16	13	M6x6	19
	G3/8"-LH	Rc3/8	DRH10-1801-04L	DRH10-1821-04L	DRH10-1831-04L	1/4																		
RH015	G1/2"-RH	Rc1/2	DRH15-1801-03R	DRH15-1821-03R	DRH15-1831-03R	Rc	13	56	90	15	40	110	120	110	142	M6	77	Rc1/8	10	23	17	14	M10x5	24
	G1/2"-LH	Rc1/2	DRH15-1801-04L	DRH15-1821-04L	DRH15-1831-04L	3/8																		
RH020	G3/4"-RH	Rc3/4	DRH20-1801-03R	DRH20-1821-03R	DRH20-1831-03R	Rc	16	67	106	17	49	131	144	132	170	M8	89	Rc1/4	13	27.5	19	16	8,7x5	30
	G3/4"-LH	Rc3/4	DRH20-1801-04L	DRH20-1821-04L	DRH20-1831-04L	1/2																		
RH025	G1"-RH	Rc1	DRH25-1801-03R	DRH25-1821-03R	DRH25-1831-03R	Rc	25	82	120	19	55	149	163	150	192	M8	99	Rpc3/8	16	35	22	19	8,7x5	36
	G1"-LH	Rc1	DRH25-1801-04L	DRH25-1821-04L	DRH25-1831-04L	1/2																		
RH032	G1-1/4"-RH	Rc1-1/4	DRH32-1801-03R	DRH32-1821-03R	DRH32-1831-03R	Rc	32	93	135	22	67	172	188	173	221	M10	112	Rc1/2	22	39	24	23	8,7x5	46
	G1-1/4"-LH	Rc1-1/4	DRH32-1801-04L	DRH32-1821-04L	DRH32-1831-04L	3/4																		
RH040	G1-1/2"-RH	Rc1-1/2	DRH40-1801-03R	DRH40-1821-03R	DRH40-1831-03R	Rc	38	108	146	23	75	189	209	190	241	M10	120	Rc 3/4	26	44	29	24	10x5	55
	G1-1/2"-LH	Rc1-1/2	DRH40-1801-04L	DRH40-1821-04L	DRH40-1831-04L	3/4																		
RH050	G2"-RH	Rc2	DRH50-1801-03R	DRH50-1821-03R	DRH50-1831-03R	Rc	48	120	154	26	93	205	222	203	277	M10	125	Rc1	32	50	36	24	12x5	60
	G2"-LH	Rc2	DRH50-1801-04L	DRH50-1821-04L	DRH50-1831-04L	1-1/4																		

Customer data / Customer data							
Customer name / company name Customer/Company	Project manager Contact person			contact number Phone			
address Address	mailbox Email			fax Fax			
Gas and liquid technical parameters /Technical parameters							
Product Usage Application							
Working medium medium	<input type="checkbox"/> Steam Steam	<input type="checkbox"/> Water Water	<input type="checkbox"/> Heat oil Hot oil	<input type="checkbox"/> Compressed air Air	Other (description) other		
Operating temperature Temperature	_____°C	Work pressure Pressure	Mpa	Working speed Speed	RPM	road number Channel number	
Connection method Rotor Connection	<input type="checkbox"/> Flange Flange	<input type="checkbox"/> Thread Thread	Import specification Inlet		Export specification Outlet		
other request other							
Circuit technical parameters /Technical parameters							
Insulation class Protection class	IP _____	Working speed Speed	_____RPM	Ambient temperature (minimum-maximum) Ambient Temperature(Min-Max)		_____°C ~ _____°C	
Installation size Installation dimension		Maximum outer diameter Max.outer	φ _____mm	Minimum inner diameter Min.inner	φ _____mm	Maximum total length Max.Length	_____mm
group Group	Number of circuits Number of ways	Use / Use		Voltage (v) Voltage	Current (a) Current	frequency Frequency	
Ground / pe							
A							
B							
C							
D							
Your requirements /Customer requirements							
Order Quantity / Quantity				Ship date/Delivery date			
Other requirements / sketch / Special features/Sketch							

**Rotary joint**



**Notes:**

---

---

---

---

---

---

---

---

---

---

---

---

---

---

---

---

---

---

---

---

---

---

---

---

销售网点 Address

中国                  China 中国

枣庄市 **德威迩** 机械科技有限公司

Tel : +86 632 5822778    **热线电话: 156-0637-0700**

Fax : +86 632 5601281    **sddeweier88@163.com**

**[www.sddeweier.com](http://www.sddeweier.com)**