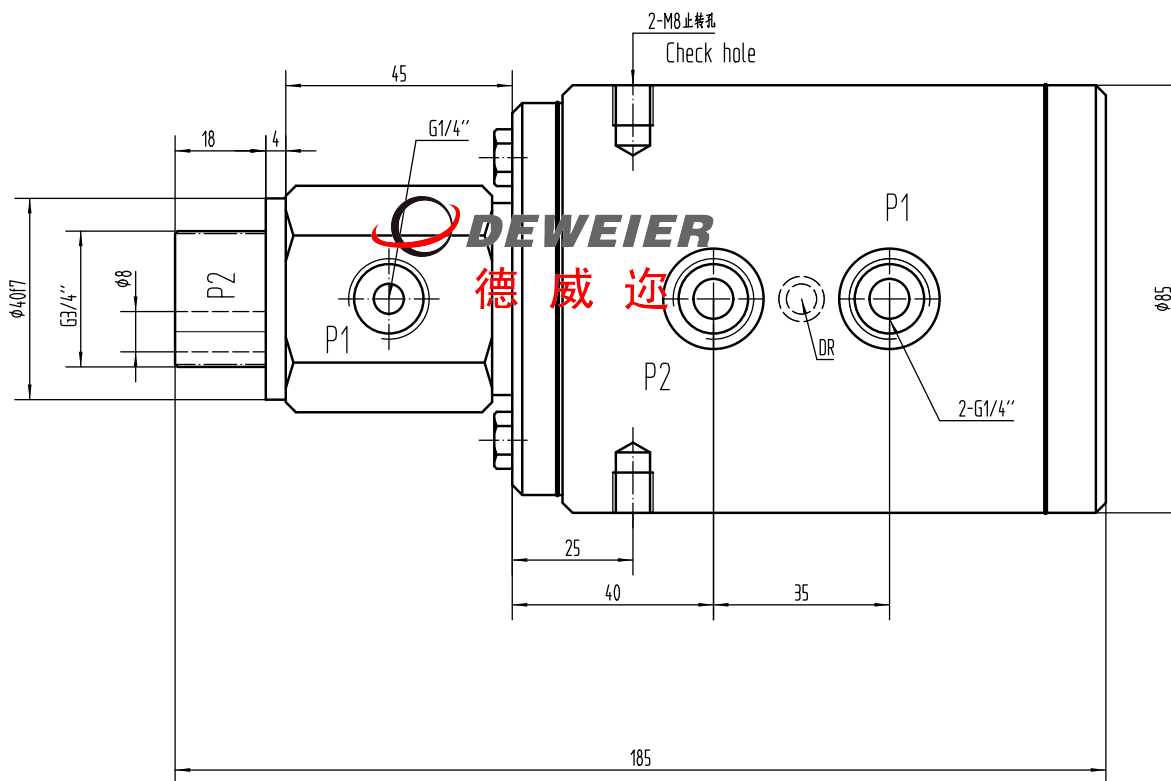
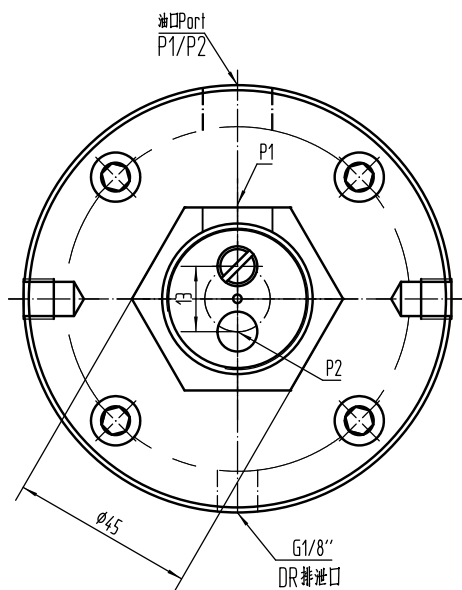


V-0577-4E-8HG



www.dwr-rotaryunion.com

Product number: GHR-34-7750-A

Operating data:

- 1. Max pressure: 3.0Mpa---- 25MPa;
- 2. Max speed: 3000RPM;
- 3. Temperature: -20/+80°C;
- 4. Medium: Hydraulic oil;

Dewel Machinery Technology Co.,Ltd

Tel:0632-5822778 Fax: 0632-5601281

备注: 本产品采用间隙密封结构。 安装机油管时, 必须将排油孔连接到回油箱上, 并且不能堵塞回油管形成压力。

工作流体介质应过滤后使用, 过滤精度不低于10 μm;

Remarks: This product adopts the gap sealing structure. The drain hole L must be connected to the return tank when the oil pipe is installed, and the oil return pipe can not be blocked to form pressure;

The working fluid medium should be used after filtering, and the filtering accuracy is not less than 10 μm;

制图		Rotary joint	1:1.5
校核			
Dewel Machinery Technology Co.,Ltd		GHR-34-7750-A	