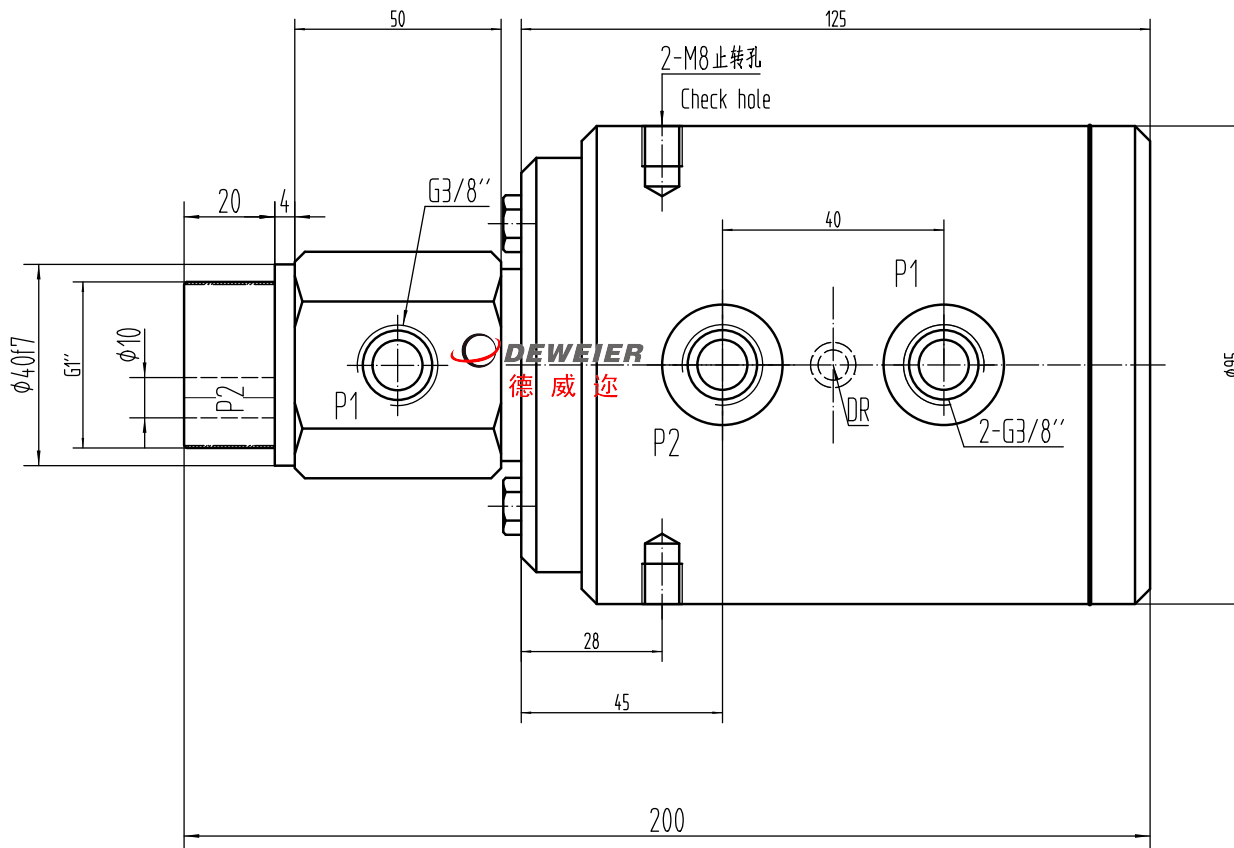
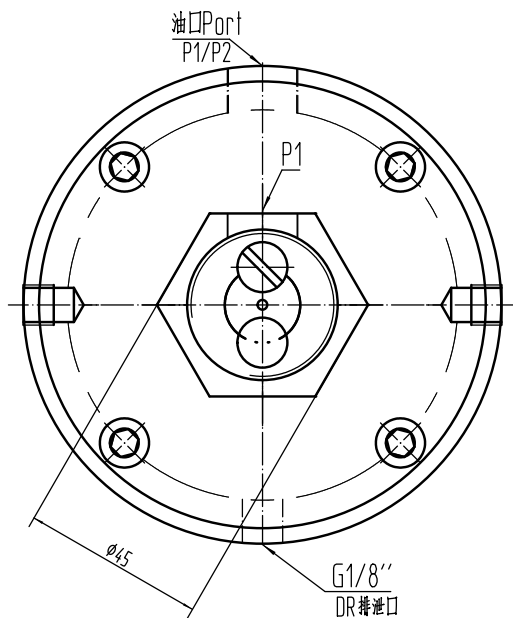


GHR-100-7750-C



Product number: GHR-100-7750-C

Operating data:

- 1.Max pressure:3.0Mpa---- 25MPa;
- 2.Max speed: 3000RPM;
- 3.Temperature:-20/+80°C;
- 4.Medium:Hydraulic oil;

备注:本产品采用间隙密封结构。 安装机油管时,必须将排油孔连接到回油箱上,并且不能堵塞回油管形成压力。

工作流体介质应过滤后使用,过滤精度不低于10 μm;

Remarks: This product adopts the gap sealing structure. The drain hole L must be connected to the return tank when the oil pipe is installed, and the oil return pipe can not be blocked to form pressure; The working fluid medium should be used after filtering, and the filtering accuracy is not less than 10 μm;

Dewel Machinery Technology Co.,Ltd
Tel:0632-5822778 Fax: 0632-5601281

制图		Rotary joint	1:1.5
校核			
Dewel Machinery Technology Co.,Ltd		GHR-100-7750-C	